

Accumulator Charging Unit SLE 80



Design and Function

The accumulator charging unit SLE 80 is a compact function element, which fulfills in an optimum way the requirements of the modern accumulator charging technique.

With smooth, hydraulically controlled switching the system pressure is monitored and held to the chosen pressure level. Low power losses allow an energy optimised system and simultaneously provides, at low driving power, the possibility of high peak capacity.

All functions and safety relevant components are integrated in the unit. The compact block assembly results in reduced pipe work.

As a standard component the SLE 80 operates for pump flow rates up to 400 l/min. Additional optional modular components are available.

Technical Data

General

Mounting	4x M10x180 DIN 912
Connection of ports	mounting plate
Mounting position	mountable in any position
Ambient temperature	-25°C to +50°C

Hydraulic

Pump flow rate	up to 400 l/min
Operating pressure max.	315 bar
Hydraulic oil temperature	-5°C to +70°C
Viscosity range	10 to 300 mm ² /s
Pressure steps	20-45 bar; 45-80 bar; 80-120 bar; 120-175 bar; 175-250 bar; 250-315 bar
Switching hysteresis	5%; 10%; 15%; 20%

Electric

System of protection	IP65, DIN 40050
----------------------	-----------------

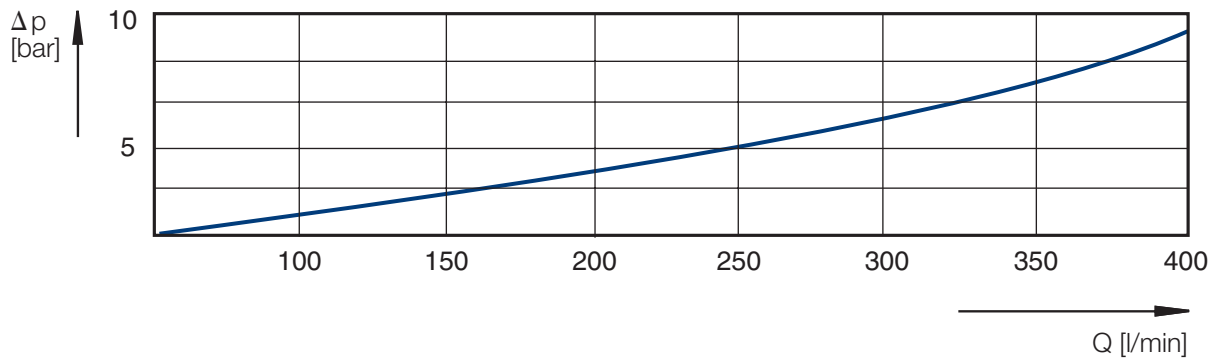
Specifications

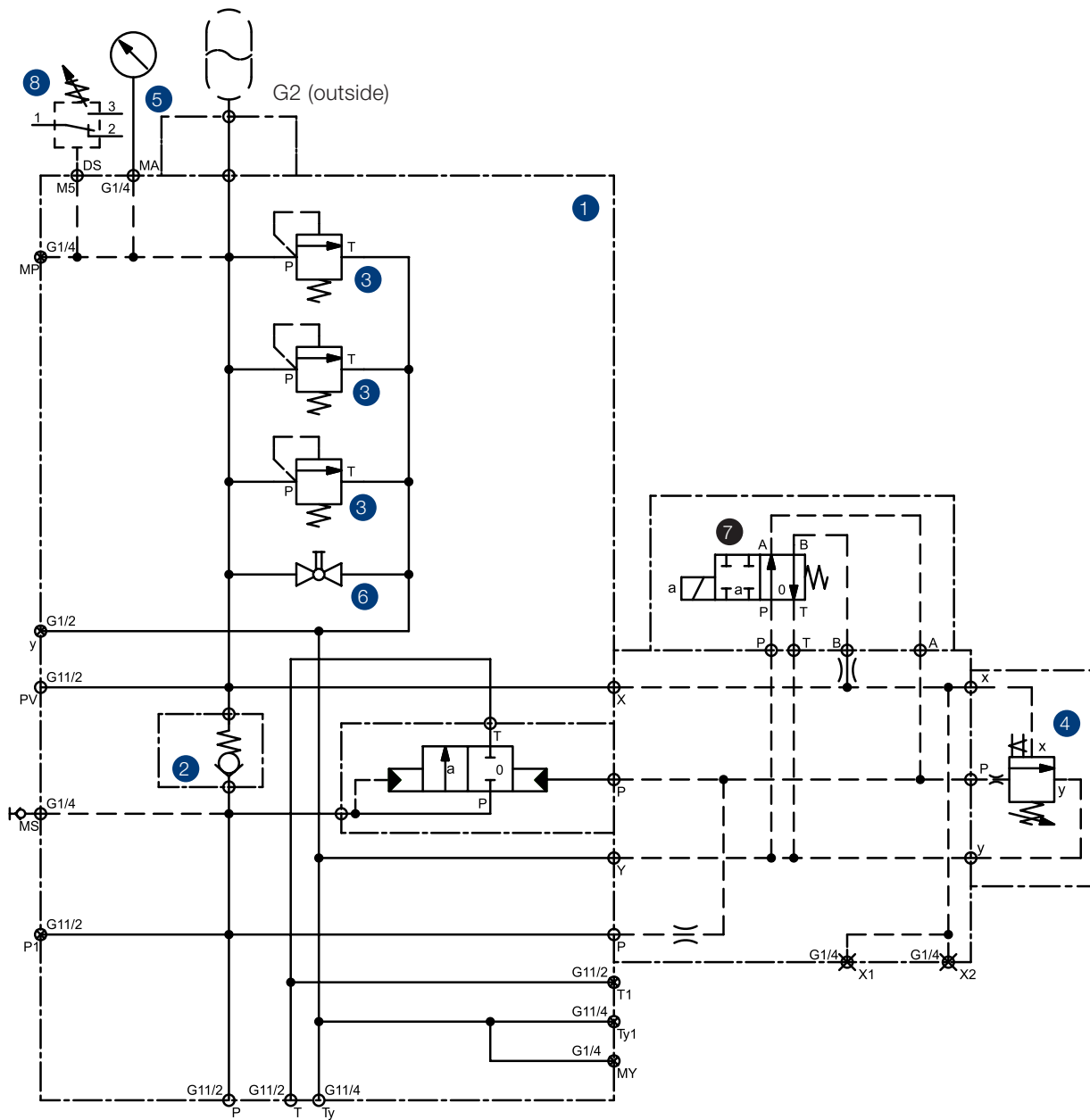
- integration of all function and safety relevant components
- compact design, simple start-up, handling without problems
- high availability, robust and proven function components
- optimized power consumption results in reduced heat emission to the hydraulic system

Options

- electrical accumulator discharge / unpressurized electric motor start-up
- pressure switch for additional system pressure monitoring

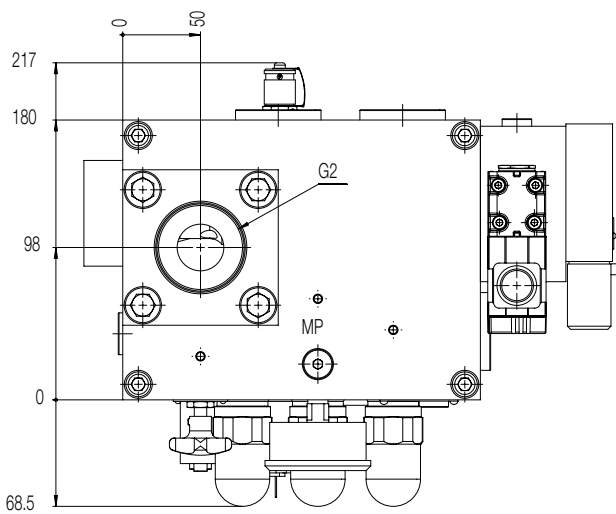
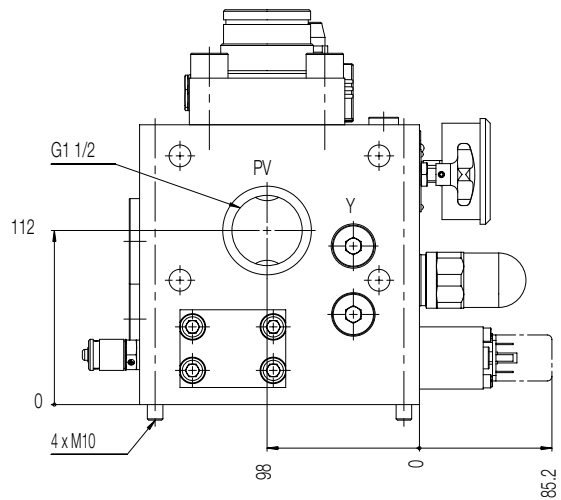
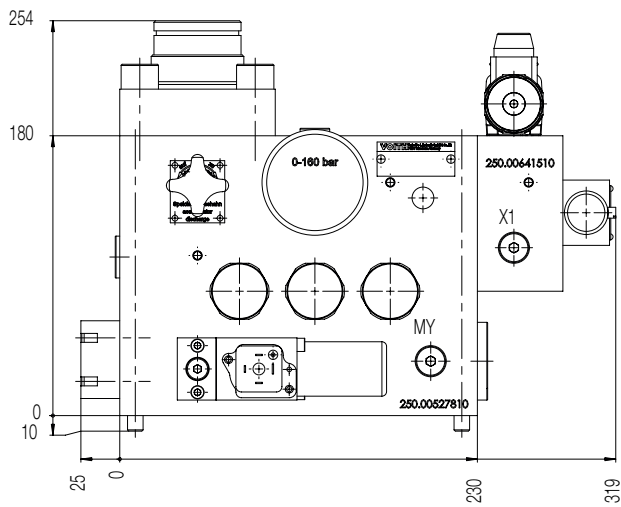
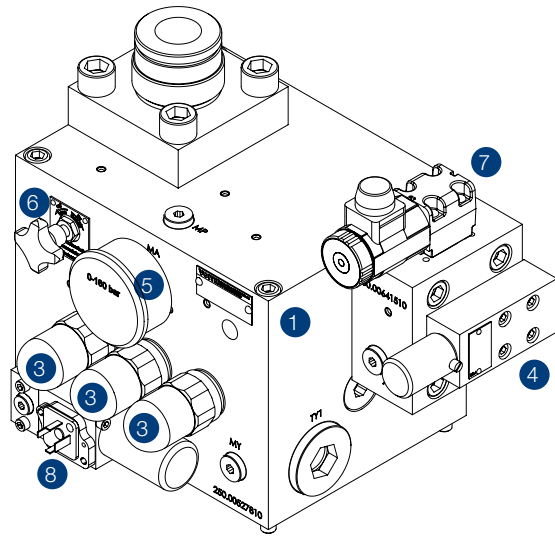
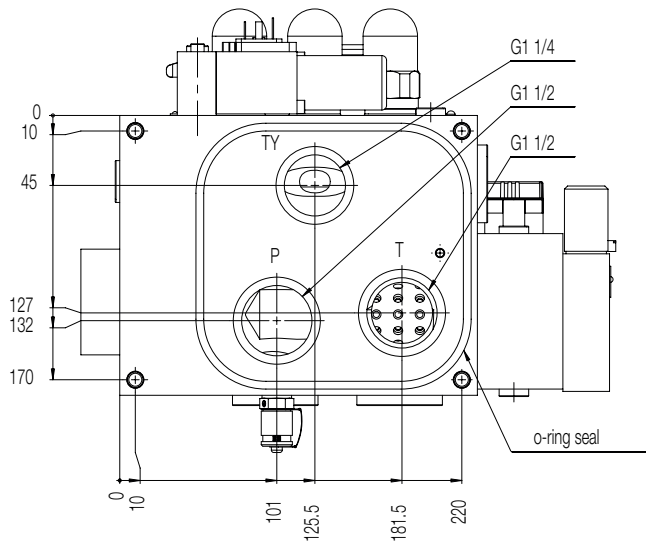
Characteristic curve, by-pass pressure P-T, for hydraulic oil 35 mm²/s, 50°C





- 1 Accumulator charging main block
- 2 Check valve
- 3 Safety valve (type examination)
- 4 Accumulator charging valve
- 5 Pressure gauge
- 6 Accumulator discharging, manual
- 7 Option: electric accumulator discharging
- 8 Option: pressure switch fur system pressure

Dimensioned Drawing



dimensions in mm

Type Code

SLE80.0-080/210-S2-700-1/3 L 24/0

voltage / frequency

24/0 = 24V DC

220/5 = 230V/50Hz

L = NG 4, ISO 4401

E = NG 6, ISO 4401

0 = without option

3 = pressure switch VTHL

4 = pressure switch PN

5 = pressure switch PK

0 = without electric discharging

1 = with electric discharging

design code

accumulator connection size

S2 = G2 outside

00 = without accumulator

pressure range safety valve

max. pressure accumulator charging valve

switching hysteresis

0 = 5%; 1 = 10%

2 = 15%; 3 = 20%

accumulator charging unit SLE 80

material number

Voith Turbo H + L Hydraulic
GmbH & Co. KG
Schuckertstraße 15
71277 Rutesheim, Germany
Tel. +49 7152 992-3
Fax +49 7152 992-400
sales-rut@voith.com

www.voith.com



VOITH
Engineered Reliability